



Parts List

SIRUBA L917-M1

**Copyright 2016 © Supra Enterprises Corp.
Wholesale And Retail Sewing Machines Miami FL**

Address: 7630NW 25Th St. Unit 3&4 Miami, FL 33122
Phone numbers: Ph: (305)-406-1067 Fax: (305)-406-1068

SIRUBA

MODEL COMPARE LIST

Series

L918/L917/L818D

Remark

-L1/M1/H1

Page

1 / 2

Date

2013/06/10

L918/L917/L818D型別件表

MODEL	SUB-CLASS	SPRING	SPRING	SPRING	THREAD GUIDE	THREAD GUIDE BAR	EJECTOR PIN	ADJUSTING KNOB	NEEDLE BAR	FIXED PIN	HOOK FIXER	
機 型	規 格	控線彈簧	掛線彈簧	壓 符	導線片	導線杆	頂出銷	調整旋扭	針 棒	固定銷	旋線定位板	
L1	薄布料	LA231	LA227	LB204	A	—	LB212	LC23G	LG04	LC13	LE14D	
					LB06H							B
M1	~ 中厚布	LA31	LA27	LB04	A	—	LB12	LC623G	—	—	—	
					LB06H							B
H1	~ 中厚布 ~ 厚布料	LA131	—	LB104	A	—	—	—	—	—	—	
					LB100							
					B							LB106
					C							NK23
D	WK09											

SIRUBA
MODEL COMPARE LIST

Series

L918/L917/L818D

Remark

-L1/M1/H1

Page

2 / 2

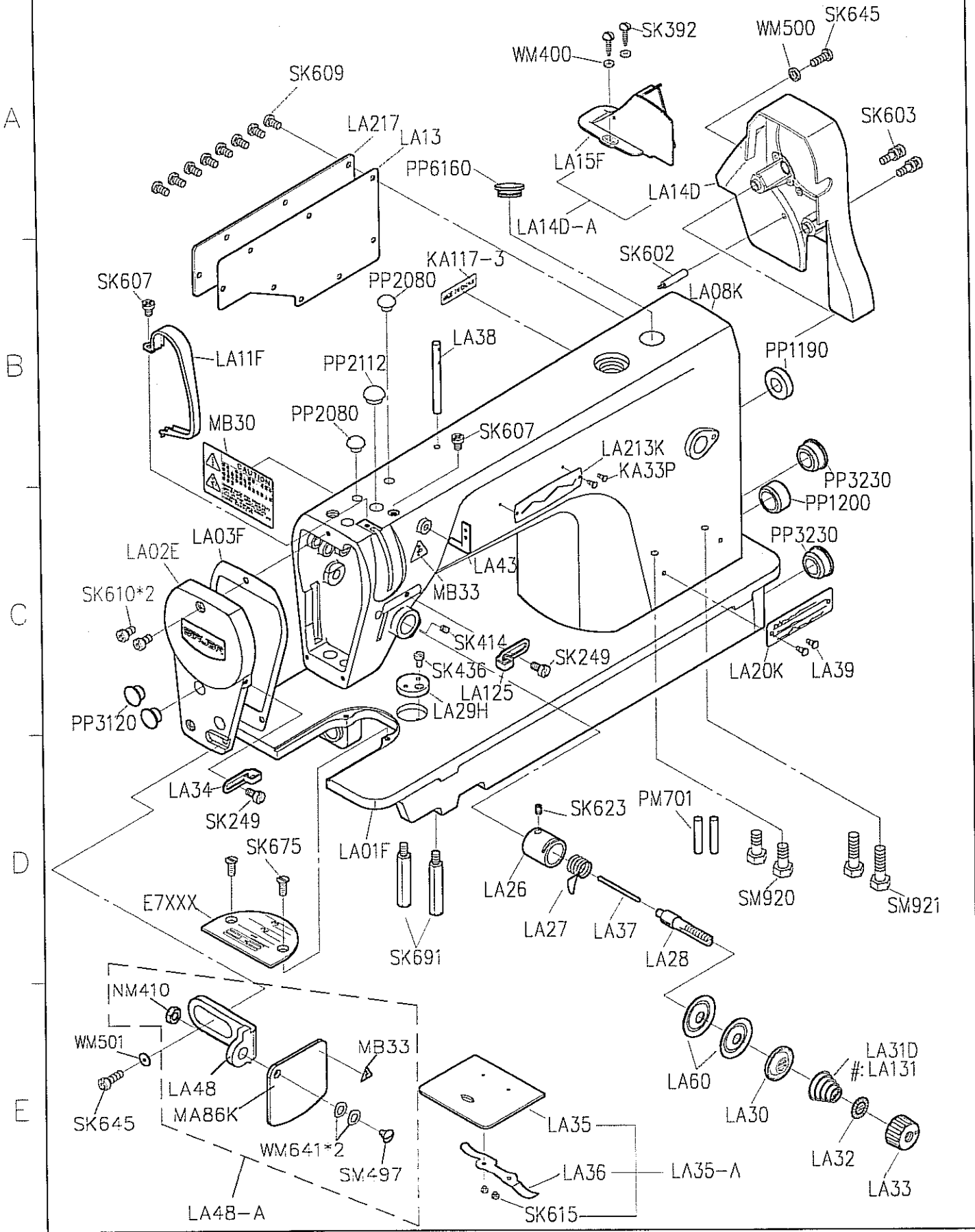
Date

2013/01/01

L918/L917/L818D型別件表

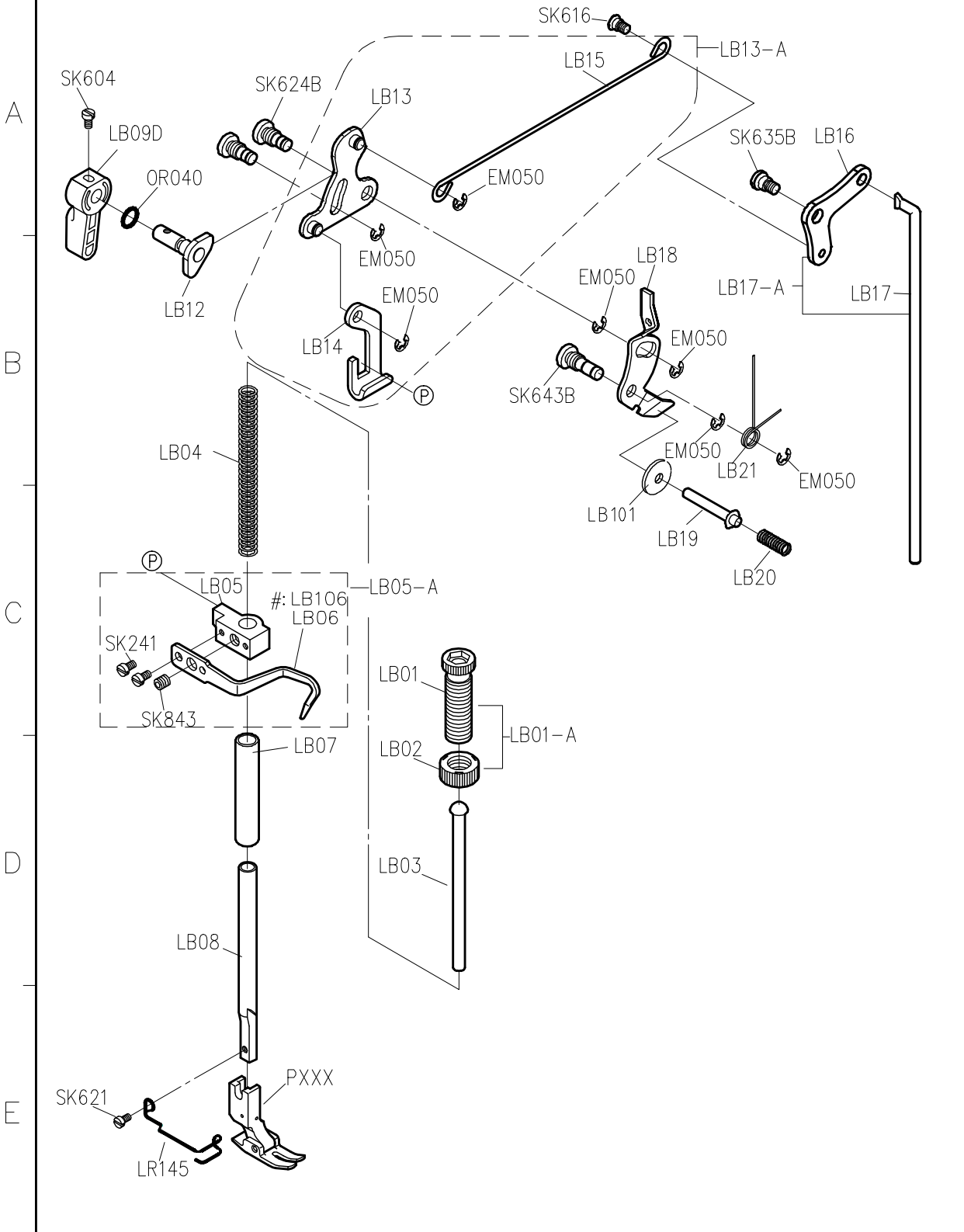
MODEL	SUB-CLASS	THRAD TAKE UP LEVER	CRANK SHAFT	BUSING	THREAD GUIDE		
機 型	規 格	天 秤	曲 軸	襯 套	導 線 環 片		
	L1	薄布料	LG215	LG07	LG09		
M1	薄布料 ~ 中厚布	LG13	LG15	LG07	LG09		
	中厚布 ~ 厚布料		LG615			LG107	LG109
H1	厚布料	LG113	LG615	LG107	LG109		

SIRUBA PARTS LIST	Series	Parts Group	Subclass / Remark	Page
	L917-M1/H1	LA	#:Use for H1	1/1
				Date 2013/07/27



1 2 3 4 5
FOR L917

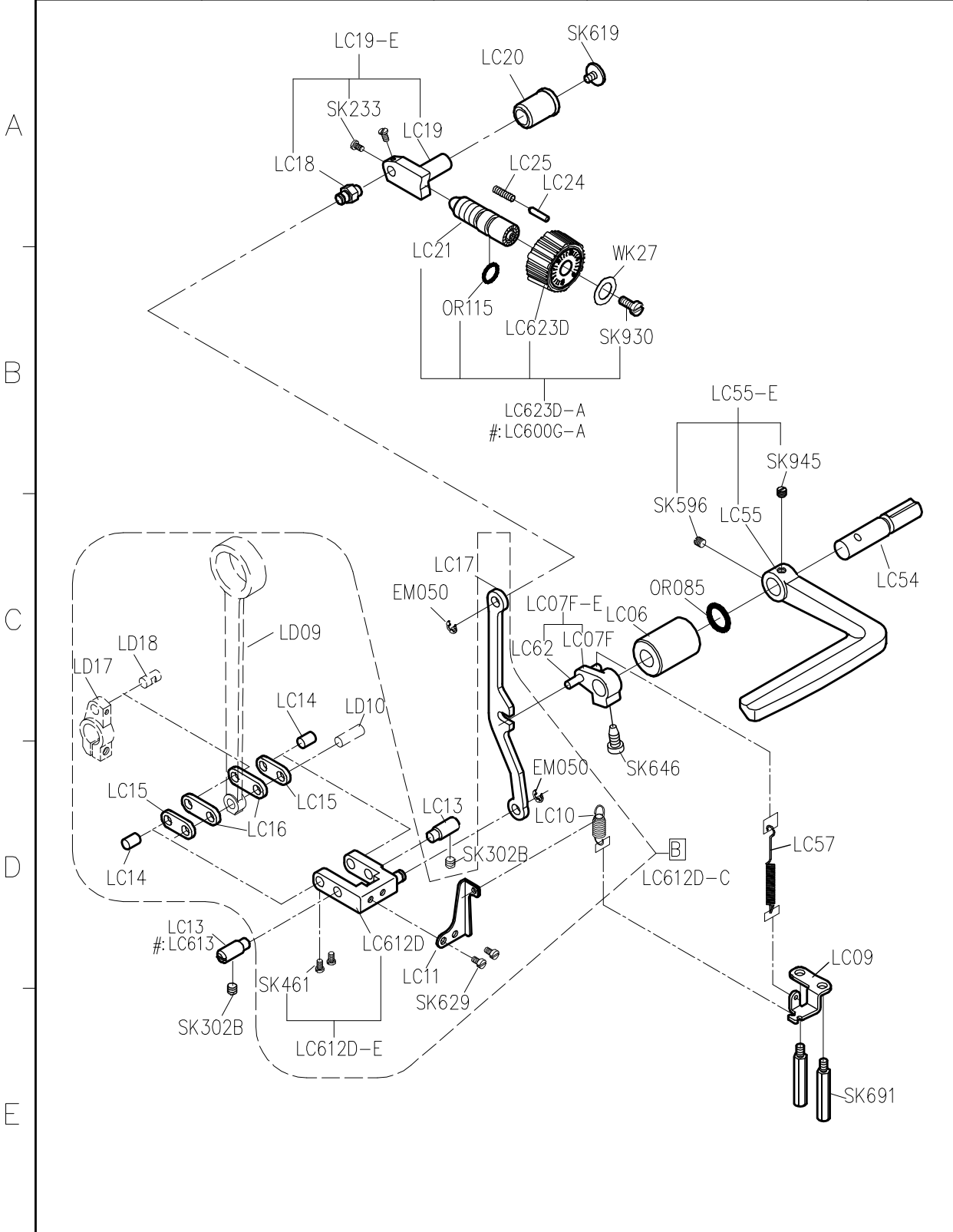
SIRUBA PARTS LIST	Series	Parts Group	Subclass / Remark	Page
	L917-M1/H1	LB	#:Use for H1	1/1
				Date
				2012/11/30



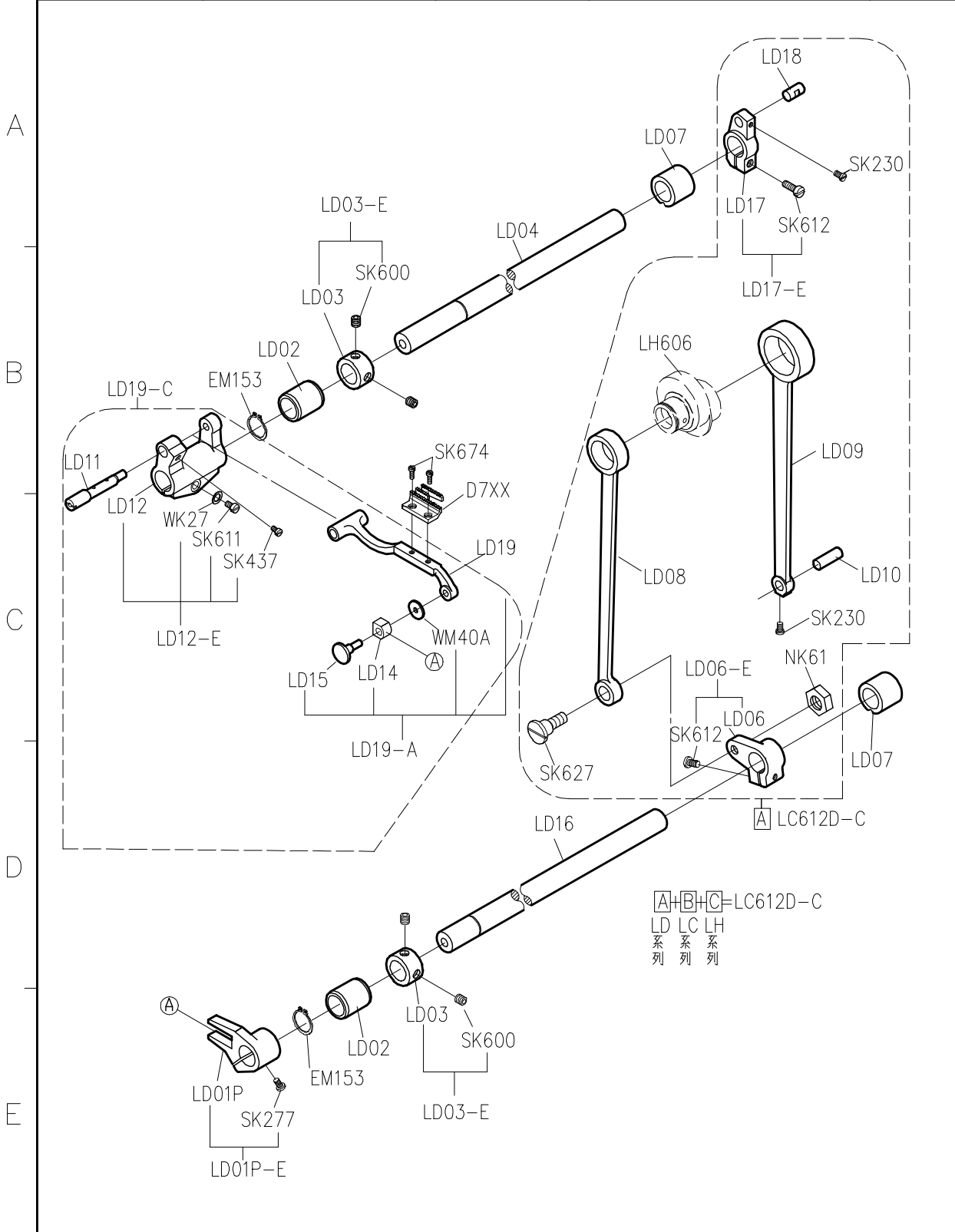
FOR L917

1 2 3 4 5

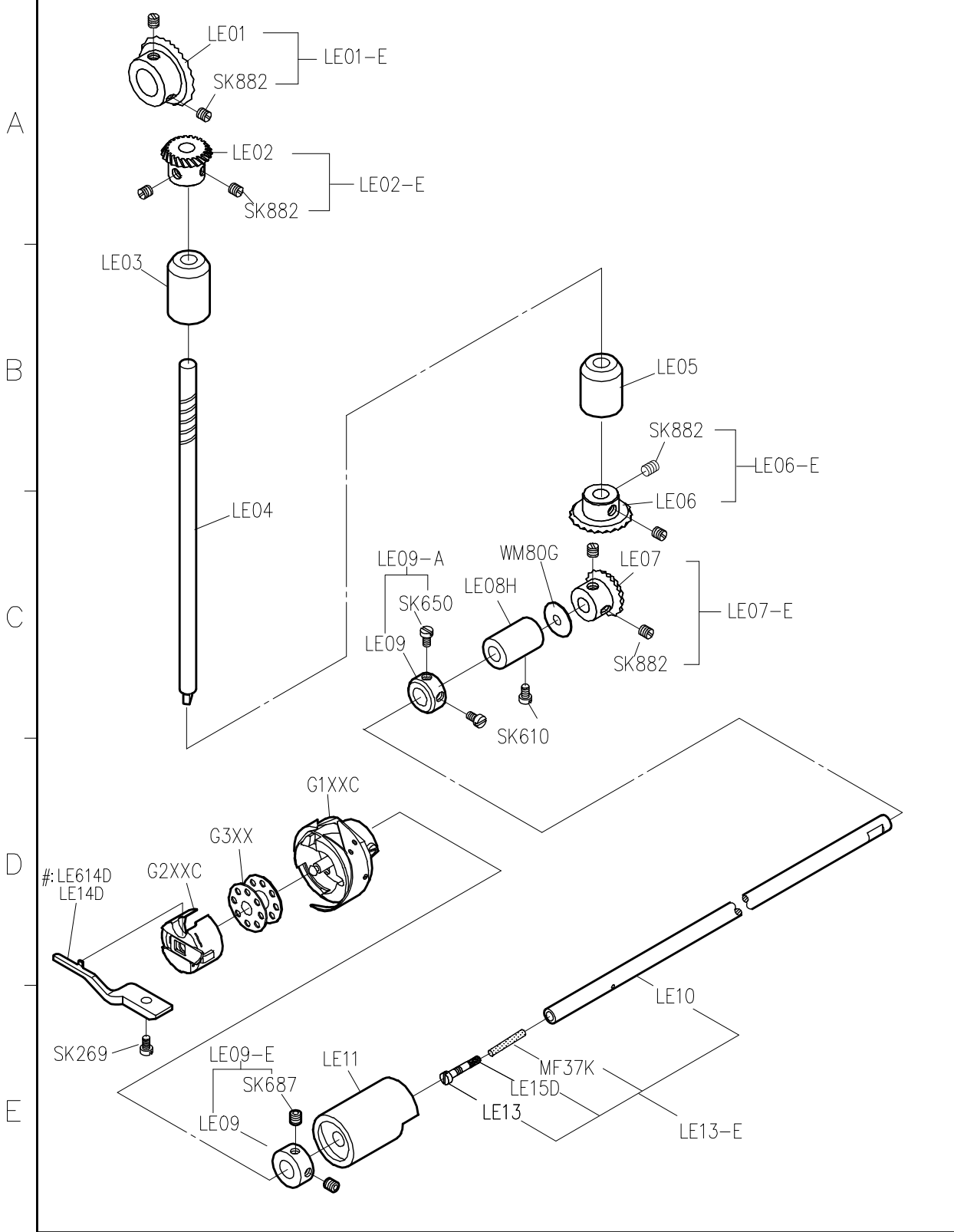
SIRUBA PARTS LIST	Series	Parts Group	Subclass / Remark	Page
	L917-M1/H1	LC	#:Use for H1	1/1
				Date
				2012/11/30



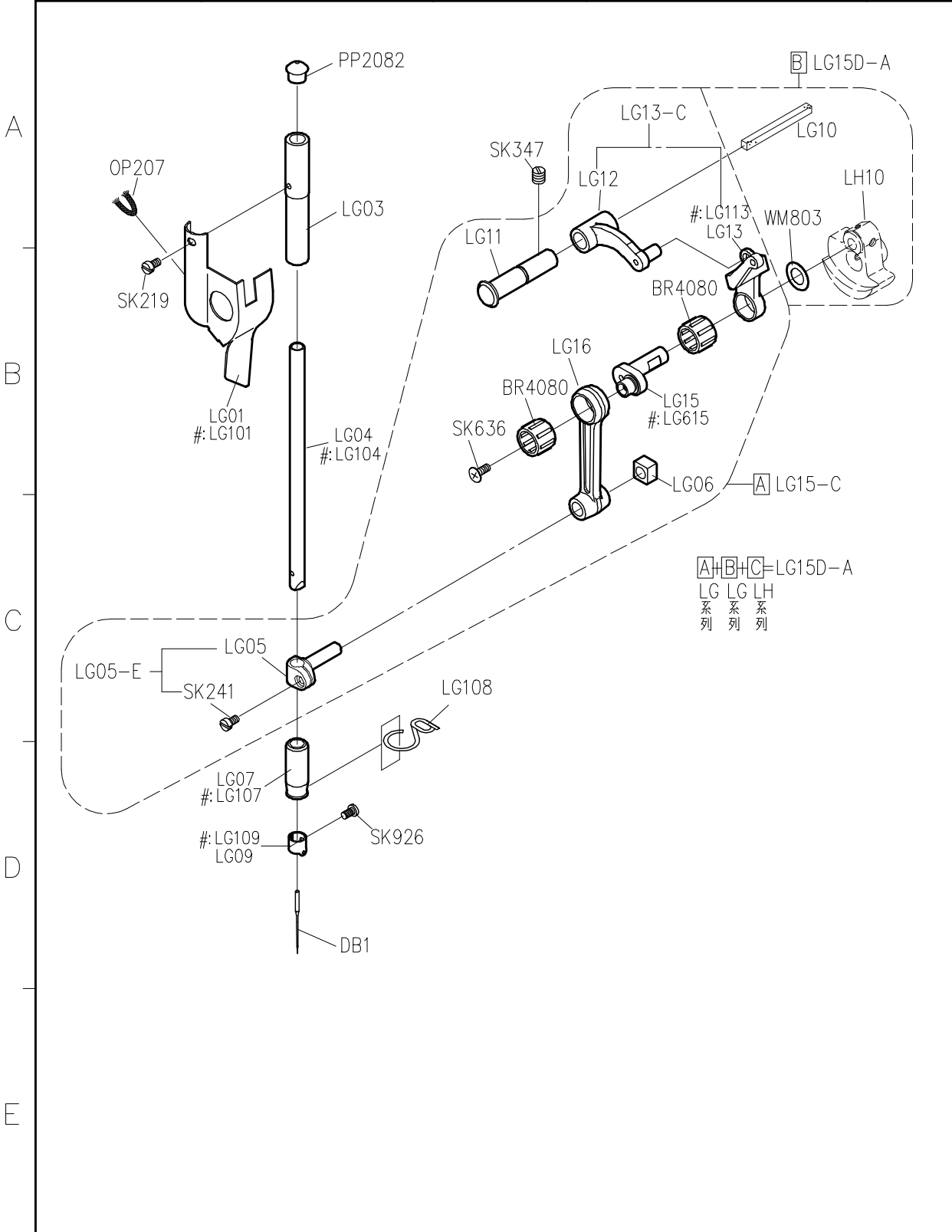
SIRUBA PARTS LIST	Series	Parts Group	Subclass / Remark	Page
	L917-M1/H1	LD		1/1
				Date
				2012/11/30



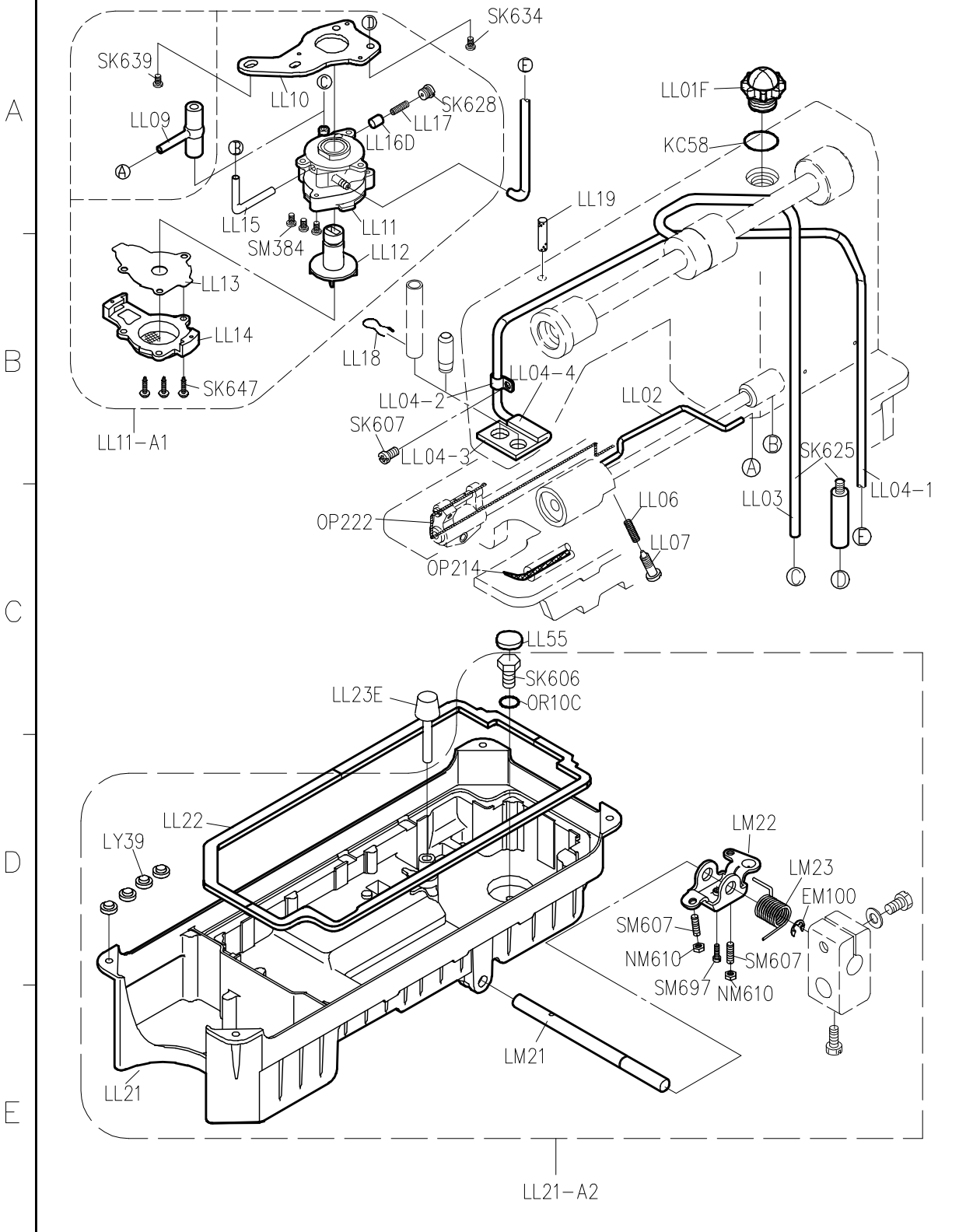
SIRUBA PARTS LIST	Series	Parts Group	Subclass / Remark	Page
	L917-M1/H1	LE	#:Use for H1	1/1
				Date
				2012/11/30



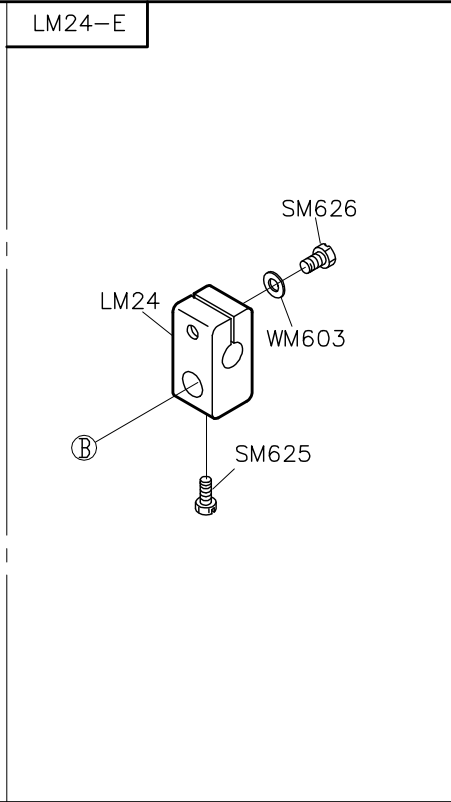
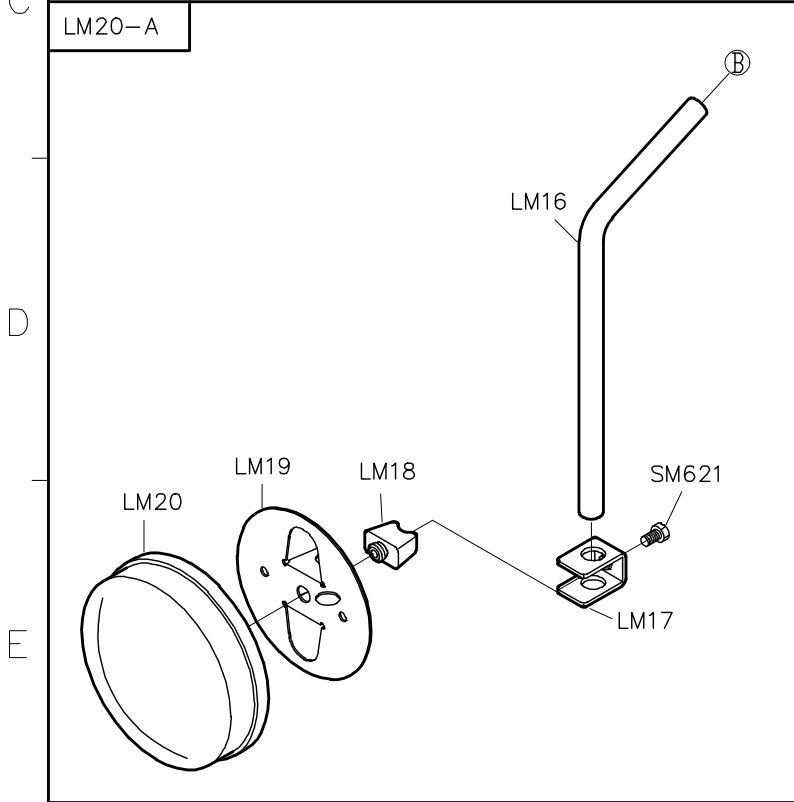
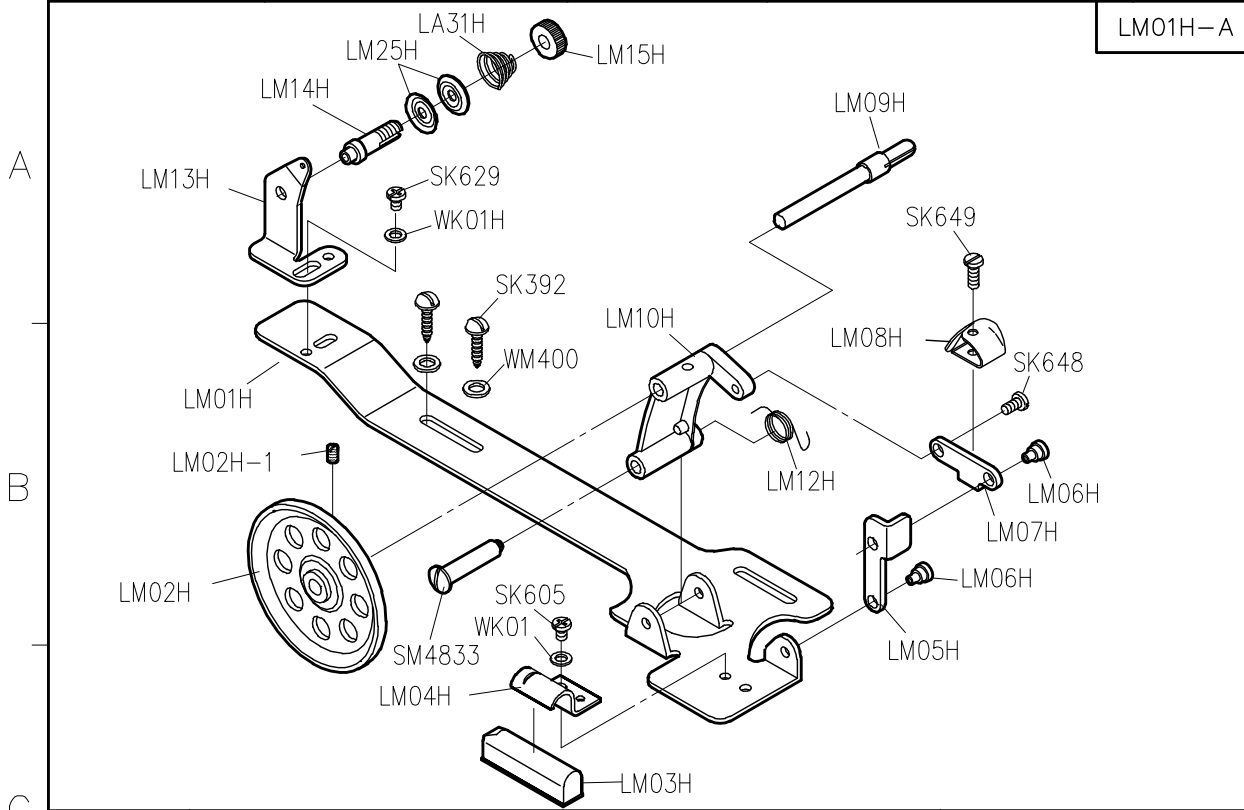
SIRUBA PARTS LIST	Series	Parts Group	Subclass / Remark	Page
	L917-M1/H1	LG	#:Use for H1	1/1
				Date
				2012/11/30



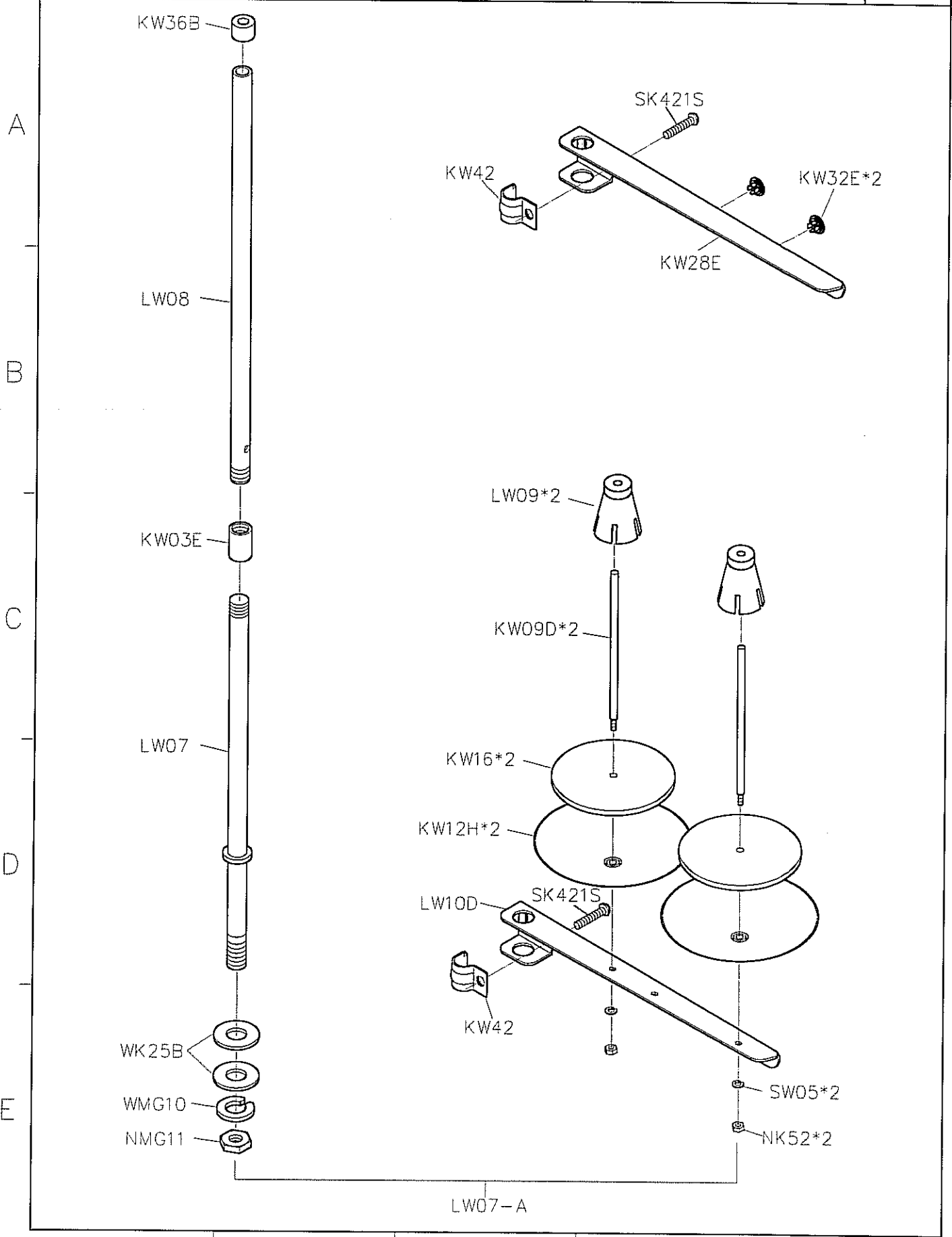
SIRUBA PARTS LIST	Series	Parts Group	Subclass / Remark	Page
	L917-M1/H1	LL		1/1
				Date
				2012/12/27



SIRUBA PARTS LIST	Series	Parts Group	Subclass / Remark	Page
	L917-M1/H1	LM		1/1
				Date
				2012/11/30



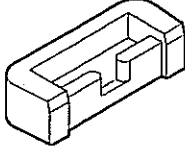
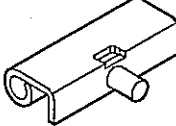

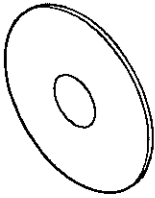




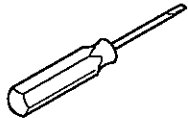
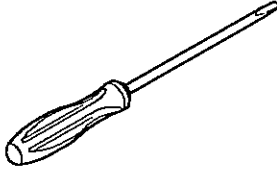
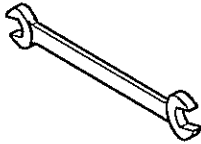


SIRUBA PARTS LIST	Series	Parts Group	Subclass / Remark	Page
	L917-M1/H1	LW		1/1
				Date
				2013/04/10

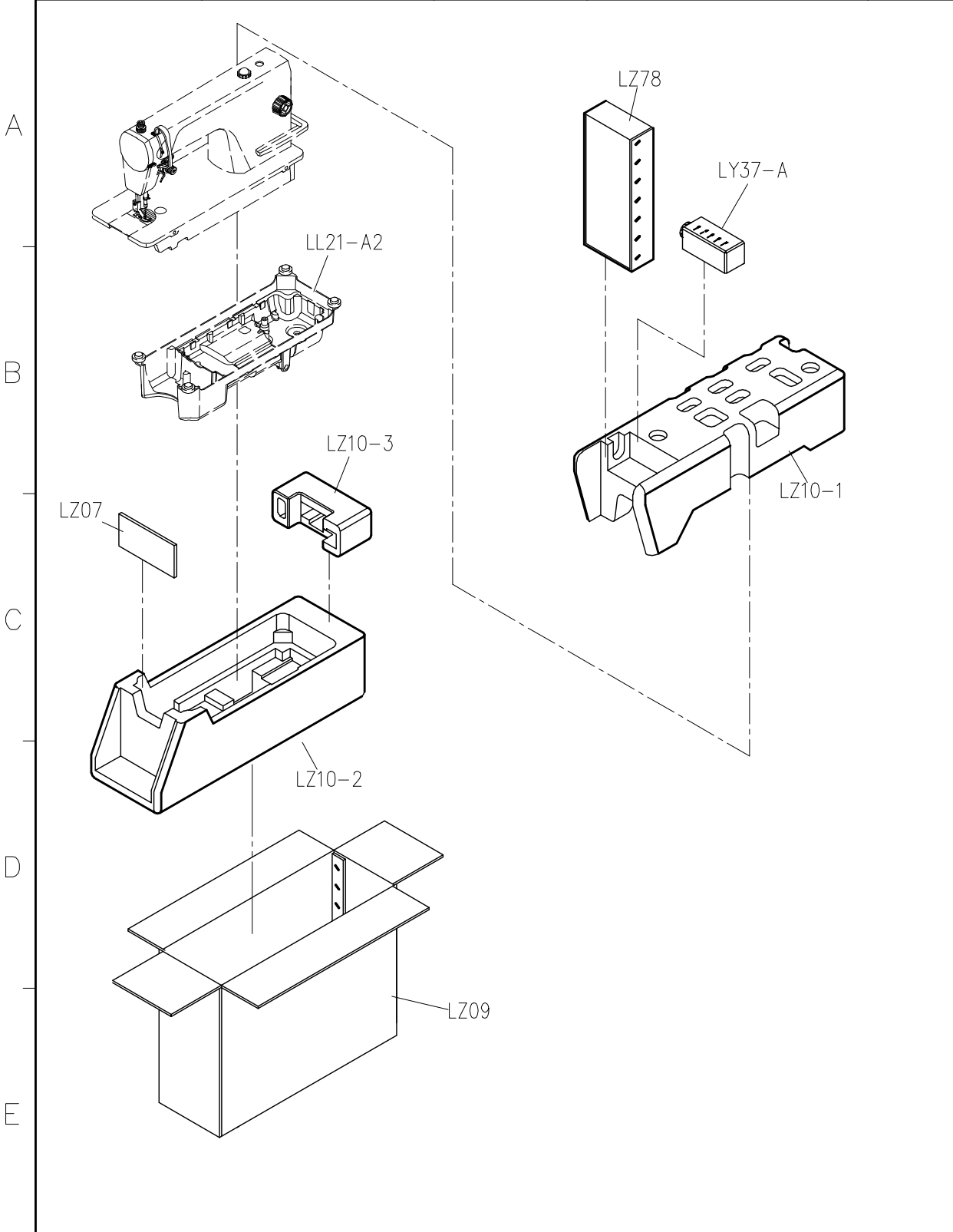


FOR L917 1 2 3 4 5

SIRUBA PARTS LIST	Series	Parts Group	Subclass / Remark	Page
	L917-M1/H1	LY		1/1
				Date
				2013/01/30

	KZ03*1	LY02	YM04*2	LY05*2	YM102*2
A					
B	LY36K	KY201	G301	YM103*2	
					
C	DB*2	LY33	LY35	LY01	
					
D					
E					

SIRUBA PARTS LIST	Series	Parts Group	Subclass / Remark	Page
	L917-M1/H1	LZ		1/1
				Date
				2012/11/30



SIRUBA TABLE CUT - OUT	Series	Item Code	Subclass / Remark	Mounting
	L818D/L917 L918/L918U L819/L819U	L918-T1		Fully-submerged
				Date
				2013/01/01

